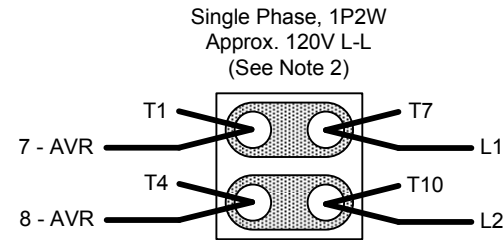
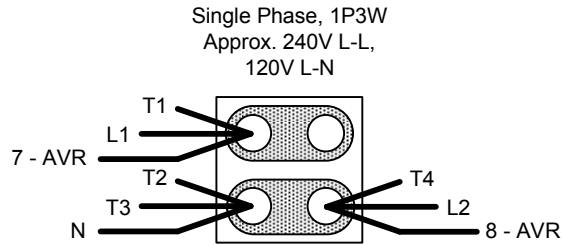
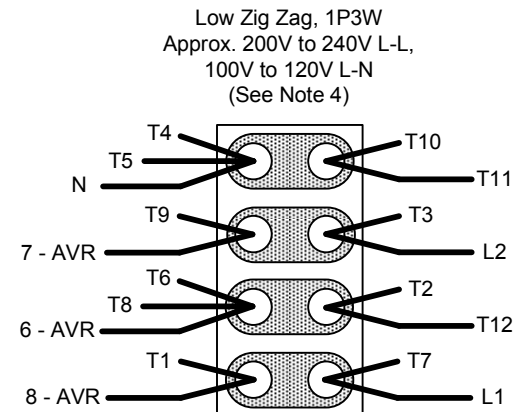
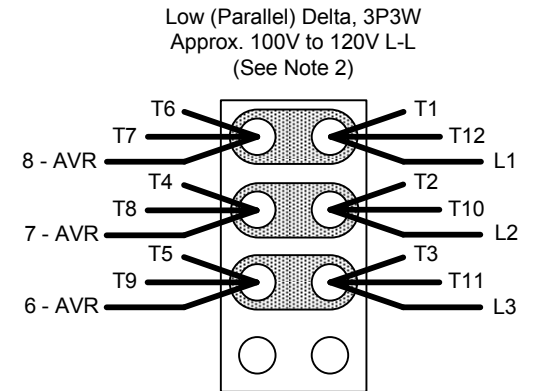
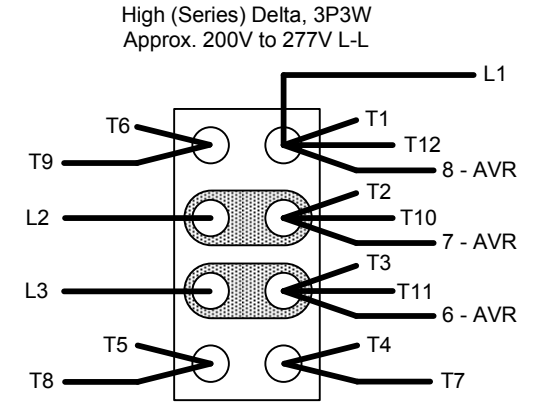
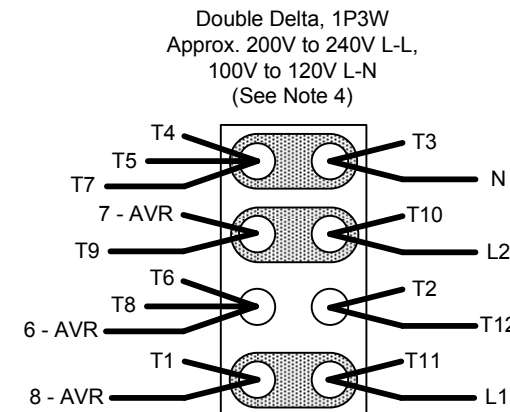
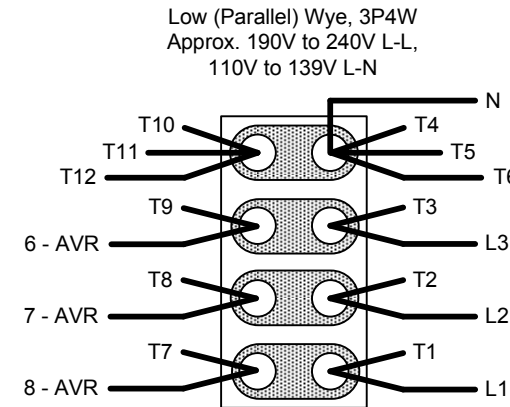
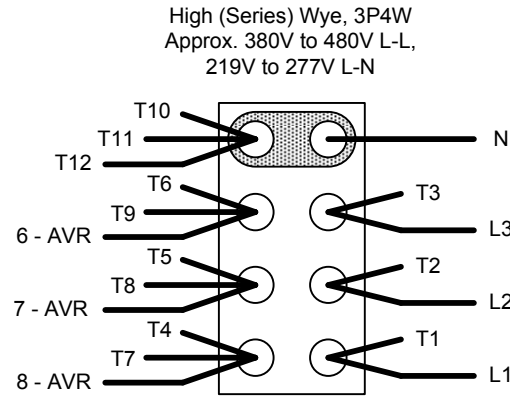


Athlon™ Generator Connection Diagrams

4-Lead Generators



12-Lead Generators



Notes:

1. "6 - AVR" connection is only used with certain AVRs.
2. Be sure to make proper voltage jumper link on AVR. Use low voltage setting for Low (Parallel) Delta and Single Phase, Dedicated 120V connections. Use high voltage setting for all other connections.
3. Always refer to AVR datasheet to be sure all connections and jumper settings are correct. Only the most common AVR connections are shown here.
4. KVA ratings are reduced approximately 50% for all 12-Lead, Single Phase connections.